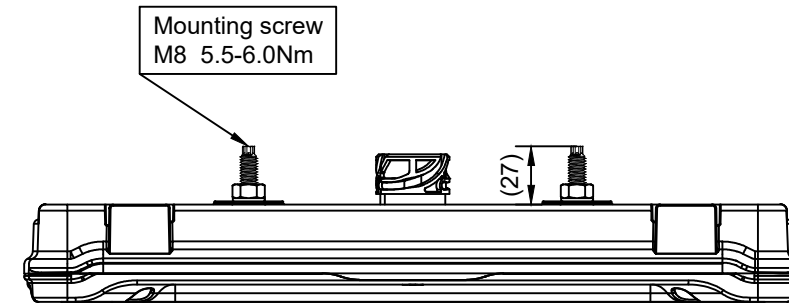
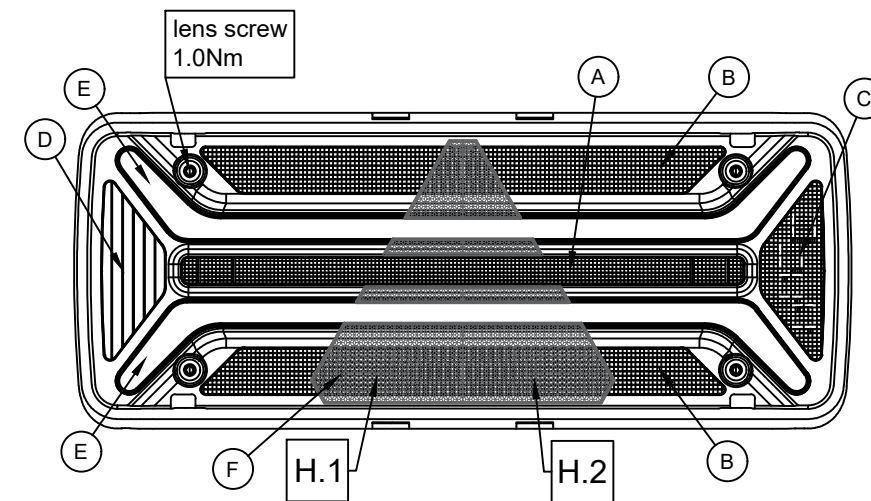
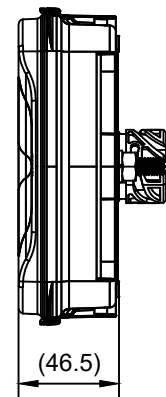
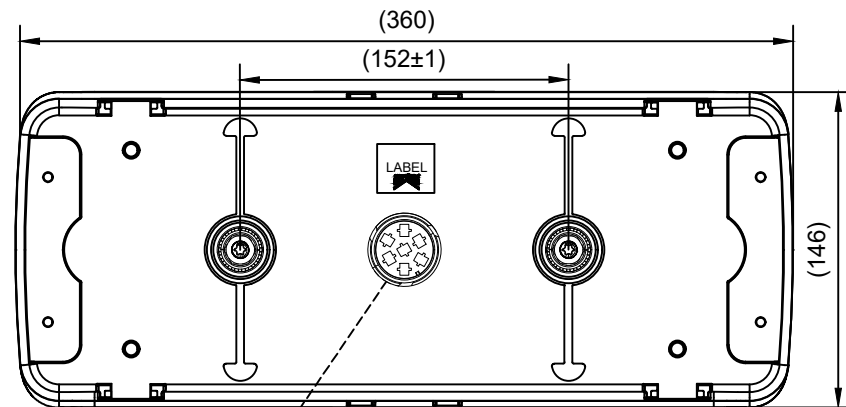
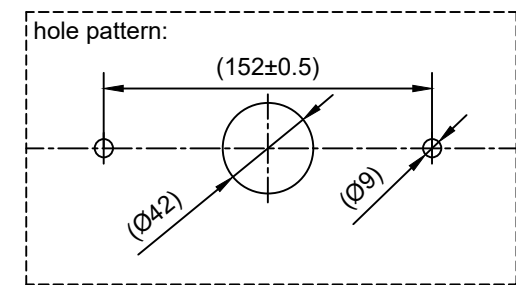
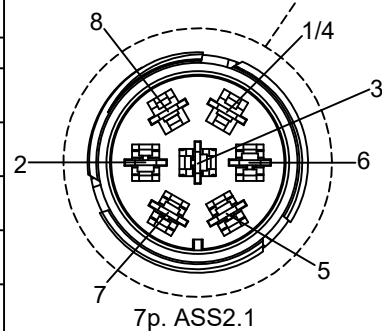


Level	Zone	ECI N°.	Revision note	Date	Designed	Checked



7p. ASS2.1	
FUNCTION	PIN
Blinker RH <i>DI RH</i>	1 / 4
Nebelschl. <i>Fog</i>	2
Masse <i>GND</i>	3
Rücklicht RH <i>Tail RH</i>	5
Bremse <i>Stop</i>	6
-	7
Rückfahrl. <i>Reverse</i>	8



Electrical Specification				
Funktion <i>Function</i>	Nennspannung <i>Nominal Voltage</i>	Spannungsbereich <i>Voltage Range</i>	Nennstrom <i>Nominal Current</i>	Nennleistung <i>Nominal Power</i>
Volt (V)	Volt (V)	Volt (V)	Ampere (A)	Watt (W)
Progressiv DI	12V / 24V	10V - 30V	0.28A / 0.29A	3.3W / 7W
Stop	12V / 24V	10V - 30V	0.28A / 0.17A	3.3W / 4W
Reverse	12V / 24V	10V - 30V	0.18A / 0.11A	2.1 / 2.6W
Fog	12V / 24V	10V - 30V	0.21A / 0.13A	2.5W / 3.1W
Tail	12V / 24V	10V - 30V	0.27A / 0.17A	3.2W / 4W

FUNCTION:	
Laufblinker RH LED <i>Progressive DI RH LED</i>	A
Bremse LED <i>Stop LED</i>	B
Nebelschl. LED <i>Fog LED</i>	C
Rückfahrl. LED <i>Reverse LED</i>	D
Rücklicht LED <i>Tail LED</i>	E
Reflektierendes Dreieck <i>Reflex reflector triangle</i>	F

Asp. Norm AAW075.04 () Auxiliary dimension DIN 406-10 Theoretical dimension ISO 1101
 Test dimension (SPC) [] Unfinished dimension DIN 406-10 Surface quality ISO 1302

Designed by Klostermann Marcel 2018/09/25	Checked by Strubreiter Daniel 2018/10/08	Approved by Enzlmüller Manuel 2018/10/09	DRAFT
Designation Ecoled II - RH ASS2 7pin Drawing Nr. 25412000 Business Unit SALES - 24			
Tolerance -			Level R01 Sheet 1 / 1

Part Number: 25-4120-007

Dimensions in mm

Transmittal, reproduction, dissemination and/or editing of this document as well as utilization of its contents and communication thereof to others without express authorization are prohibited. Offenders will be held liable for payment of damages. All rights created by patent grant or registration of a utility model or design patent are reserved.

